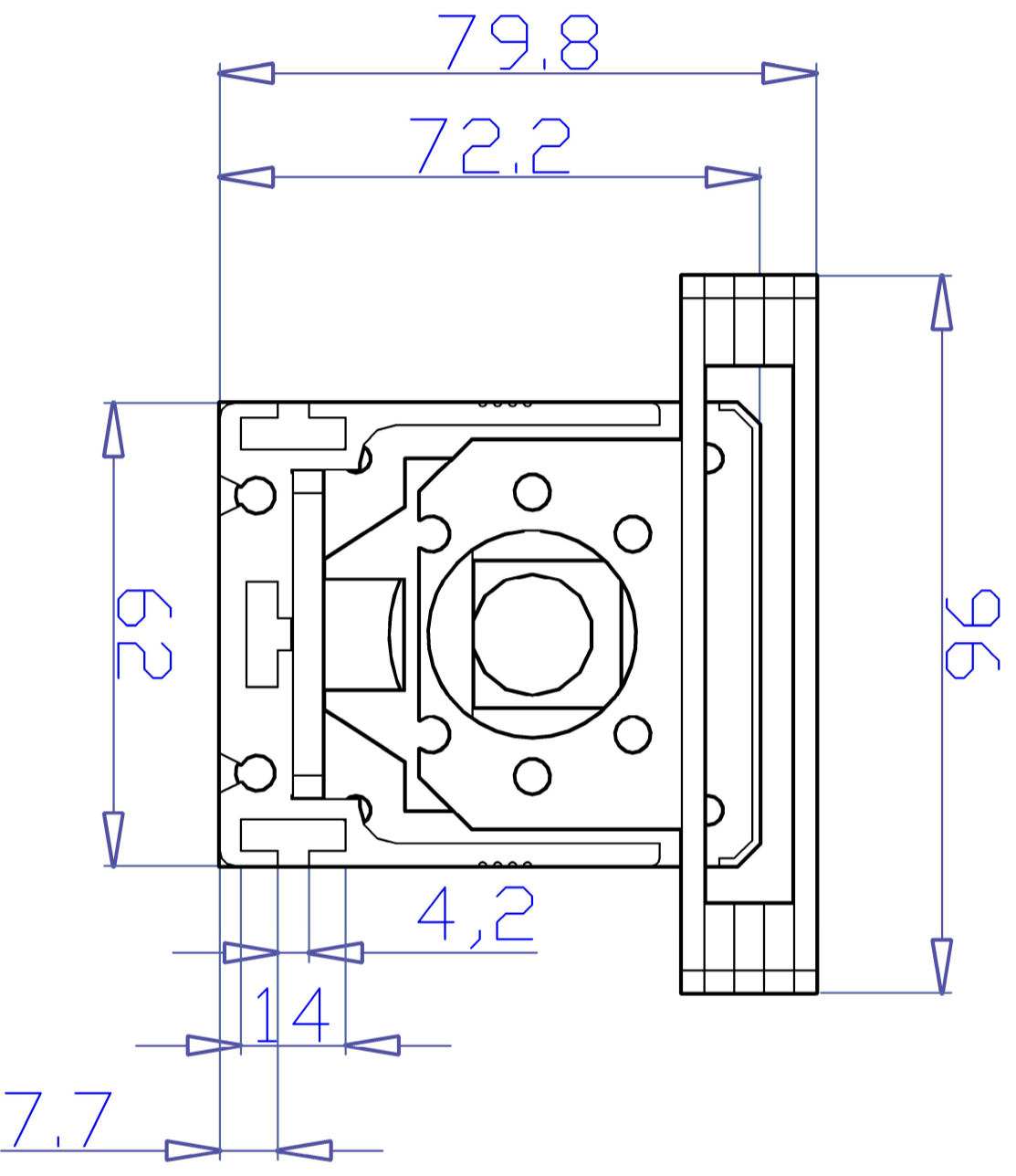


RevNo	Revision note	Date	Signature	Checked
-------	---------------	------	-----------	---------



Itemref	Quantity	Title/Name, designation, material, dimension etc	Article No./Reference
Designed by Vira System	Checked by	Approved by - date	Date
Vira System		File name	Scale

U06B		X	
Edition	Sheet		
0	1/1		