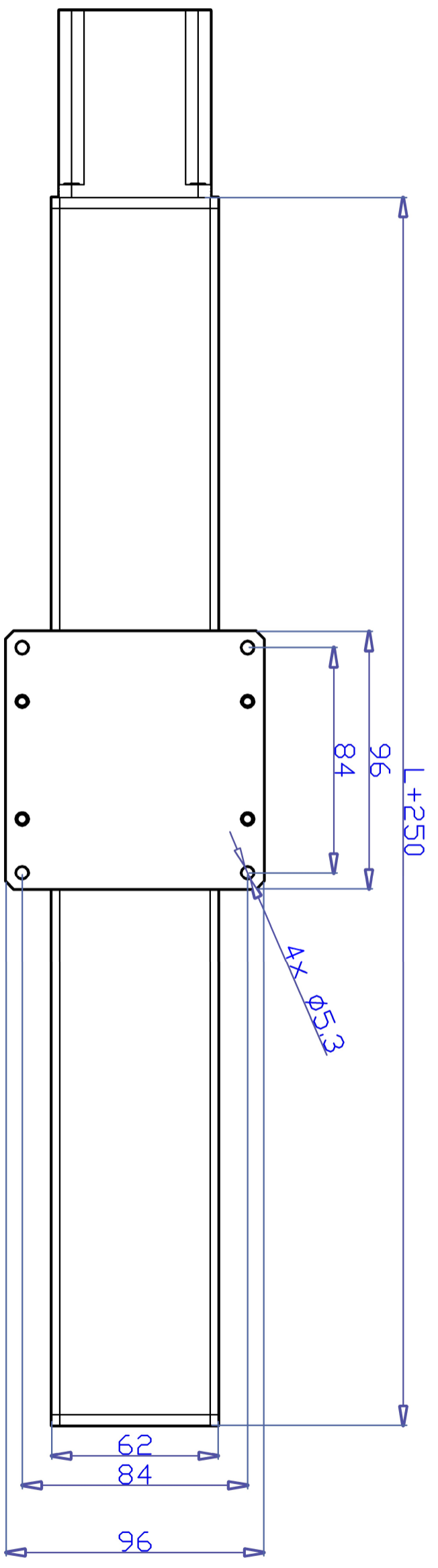


RevNo	Revision note	Date	Signature	Checked
-------	---------------	------	-----------	---------



Itemref	Quantity	Title/Name, designation, material, dimension etc			Article No./Reference
Designed by Vira System		Checked by	Approved by - date	File name	Date

U06B		X		Edition 0	Sheet 1/1
------	--	---	--	--------------	--------------